

RELAX

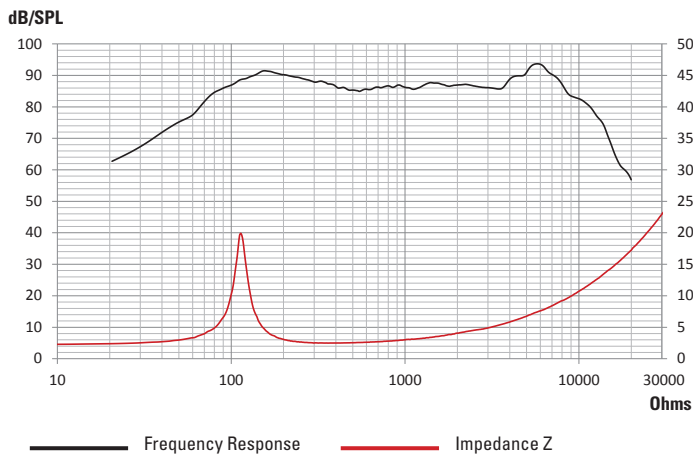
130 RS speaker

- 130 mm (5.25") component
- Max power 120 W - Nom. power: 60 W
- Frequency response: 80 Hz – 10 kHz
- Sensitivity (2.83V/1m) 92.3 dB

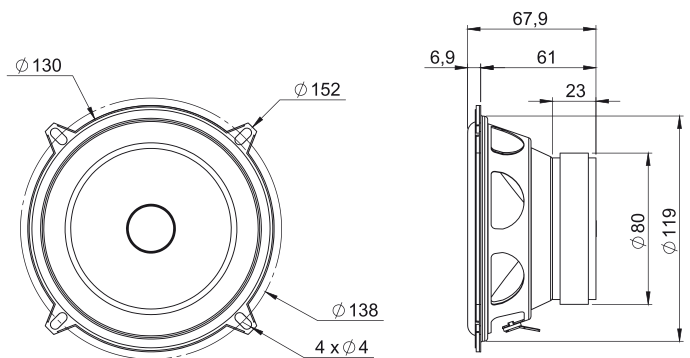
TECHNICAL SPECIFICATIONS

Component	Speaker	
Max power	120 W	
Nominal power	60 W	
Impedance	3 Ω	
Freq. Response	80 Hz - 10 KHz	
Sensitivity (2,83V/1m)	92,3 dB	
Magnet	Ferrite	
Magnet size Ø x h	80 x 15 mm	3,150" x 0,591"
Total driver displacement	0,107 l	0,004 cf
Weight of one component	0,536 kg	1,182 lb
Voice coil Ø	25 mm	0,984"
Voice coil height	11 mm	0,433"
Cone	Cellulose pulp	

FREQUENCY RESPONSE / IMPEDANCE



Guy Bonneville
BLAM
DRIVEN BY PASSION



THIELE-SMALL PARAMETERS

effective Ø (d)	109 mm
Sd	93,31 cm ²
Xmax	3,50 mm
Re	2,5 Ω
Fs	98,81 Hz
Le	90,76 µH @ 1 kHz
L2	158,05 µH @10 kHz
Vas	3,76 L
Mms	8,44 g
Cms	0,000307 m/N
BL	3,52 Tm
Qts	0,89
Qes	1,06
Qms	5,57
Sensitivity (dB/W/m)	87,2 dB

RELAX

RT 20

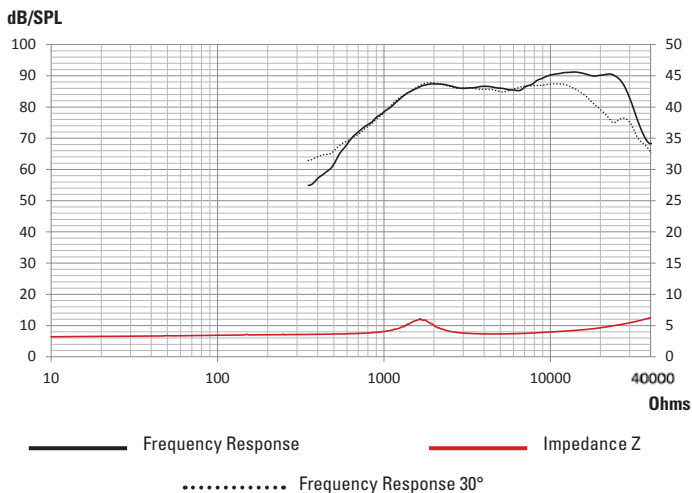
Tweeter

- Hi fidelity 20 mm soft dôme tweeter
- Hi efficiency magnet (N38H neodymium)
- Hi quality special soft dôme material
- Ferrofluid for hi power handling

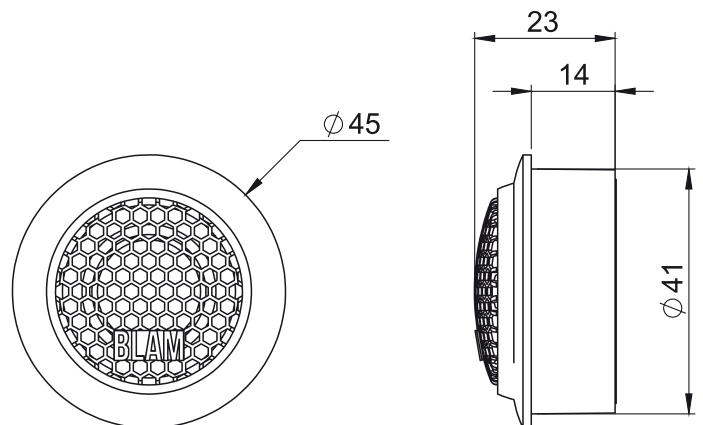
TECHNICAL SPECIFICATIONS

Component	Tweeter	
Max power	100 W	
Nominal power	10 W	
Impedance	3 Ω	
Freq. Response	2,5 KHz - 25 KHz	
Sensitivity (2,83V/1m)	90 dB	
Magnet	Neodymium	
Magnet size Ø x h	18 x 3 mm	0,709" x 0,118"
Total driver displacement	-	-
Weight of one component	0,045 kg	0,099 lb
Voice coil Ø	20 mm	0,787"
Voice coil height	2 mm	0,118"
Cone	Soft	

FREQUENCY RESPONSE / IMPEDANCE



Guy Bonneville
BLAM
DRIVEN BY PASSION



THIELE-SMALL PARAMETERS

effective Ø (d)	22 mm
Sd	3,80 cm ²
Xmax	-
Re	3 Ω
Fs	1651 Hz
Le	-
L2	-
Vas	-
Mms	-
Cms	-
BL	-
Qts	-
Qes	-
Qms	-
Sensitivity (dB/W/m)	86,7 dB

contact@blam-audio.fr
www.facebook.com/blamaudio
www.blam-audio.fr