

165 ES

Woofers

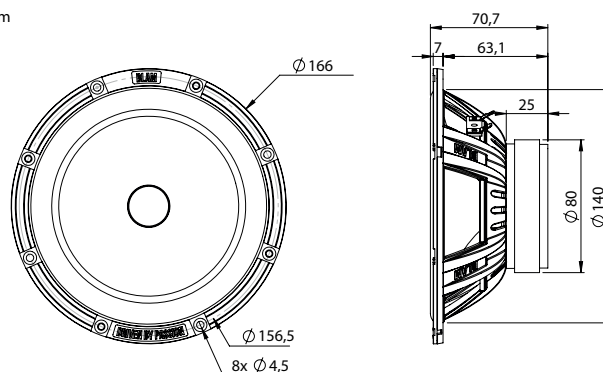
- Woofer 6-1/2" (165 mm)
- Max power 120 W / Nom. power 60 W
- Frequency response 65 Hz - 8 KHz
- Sensibility 93,3 dB
- Impedance 2 Ohms

TECHNICAL SPECIFICATIONS

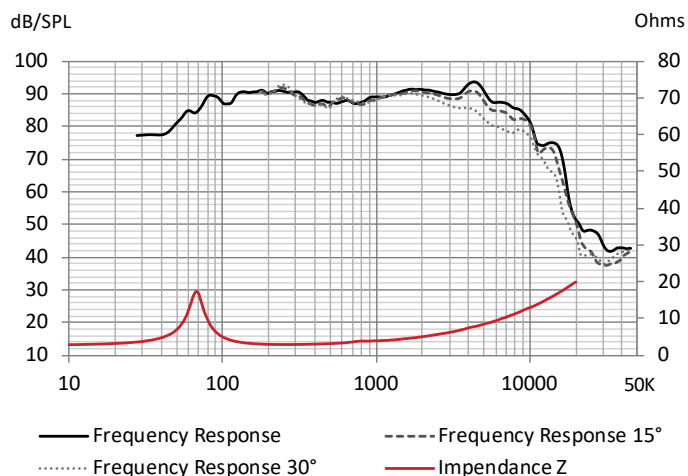
| Component | Speakers | |
|---------------------------|----------------|-----------------|
| Max power | 120 W | |
| Nominal power | 60 W | |
| Impedance | 2 Ω | |
| Freq. Response | 65 Hz - 8 KHz | |
| Sensitivity (2,83V/1m) | 93.3 dB | |
| Magnet | Ferrite | |
| Magnet size Ø x h | 80 x 15 mm | 3.150" x 0.591" |
| Total driver displacement | 0.2 l | 0.007 cf |
| Weight of one component | 0.86 kg | 1.896 lb |
| Voice coil Ø | 25 mm | 0.984" |
| Voice coil height | 10.6 mm | 0.417" |
| Cone | Cellulose pulp | |



Unit : mm



FREQUENCY RESPONSE / IMPEDANCE



THIELE-SMALL PARAMETERS

| | |
|----------------------|------------------------|
| effective Ø (d) | 130 mm |
| Sd | 132.73 cm ² |
| Xmax | 2.8 mm |
| Re | 2.5 Ω |
| Fs | 67.66 Hz |
| Le | 122.49 µH @ 1 kHz |
| L2 | 266.16 µH @ 10 kHz |
| Vas | 11.02 L |
| Mms | 12.42 g |
| Cms | 0.000445 m/N |
| BL | 4.18 Tm |
| Qts | 0.67 |
| Qes | 0.78 |
| Qms | 4.52 |
| Sensitivity (dB/W/m) | 88.3 dB |

ET 20

Tweeter

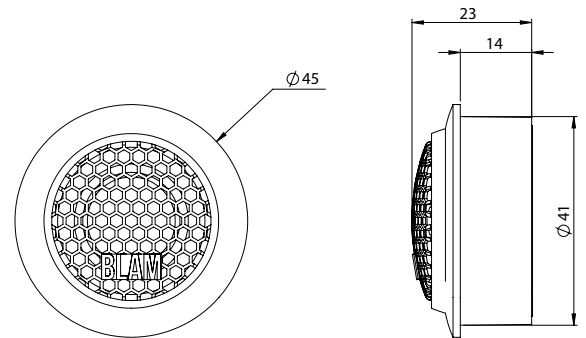
- Hi fidelity 20 mm soft dôme tweeter
- Hi efficiency magnet (N38 neodymium)
- HI quality special soft dôme material
- Ferrofluid for hi power handling

TECHNICAL SPECIFICATIONS

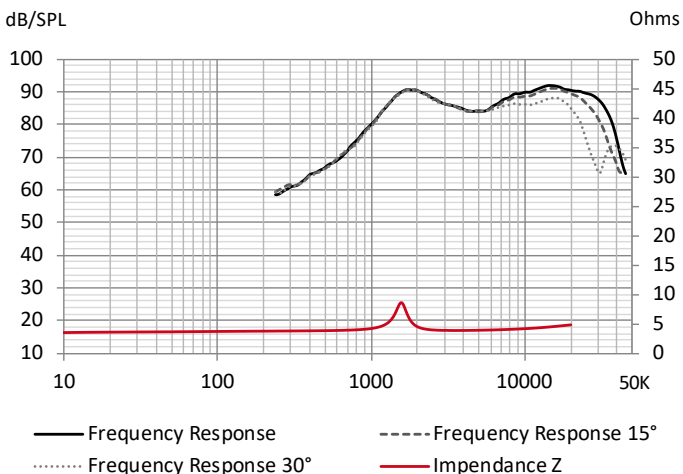
| | | |
|----------------------------------|------------------|-----------------|
| Component | Tweeter | |
| Max power | 100 W | |
| Nominal power | 10 W | |
| Impedance | 3 Ω | |
| Freq. Response | 2.5 KHz - 31 KHz | |
| Sensitivity (2,83V/1m) | 90 dB | |
| Magnet | Neodymium | |
| Magnet size Ø x h | 18 x 3 mm | 0.709" x 0.118" |
| Total driver displacement | - | - |
| Weight of one component | 0.045 kg | 0.099 lb |
| Voice coil Ø | 20 mm | 0.787" |
| Voice coil height | 1.5 mm | 0.059" |
| Dome | Soft | |



Unit : mm



FREQUENCY RESPONSE / IMPEDANCE



THIELE-SMALL PARAMETERS

| | |
|-----------------------------|----------------------|
| effective Ø (d) | 22 mm |
| Sd | 3.80 cm ² |
| Xmax | - |
| Re | 3.52 Ω |
| Fs | 1589 Hz |
| Le | - |
| L2 | - |
| Vas | - |
| Mms | - |
| Cms | - |
| BL | - |
| Qts | - |
| Qes | - |
| Qms | - |
| Sensitivity (dB/W/m) | 86.4 dB |