

LIVE

BLAM

FRENCH SOUND

Driven by passion.

165 LSQ

Woofer

- Woofer 6-1/2" (165 mm)
- Max power 120 W / Nom. power 60 W
- Frequency response 75 Hz - 9 KHz
- Impedance 2 Ohms

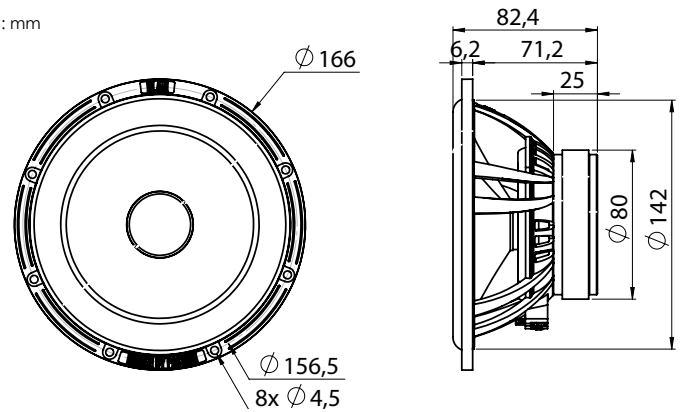
Machined cast aluminium basket - Cellulose pulp cone reinforced with bamboo fiber cone - Butyl rubber surround - Long life "Conex" damper - 28 mm (1.1") voice coil with kapton former - 80 mm x 15 mm (3.1" x 0.6") motor assembly - Thick magnetic circuit (5 mm).



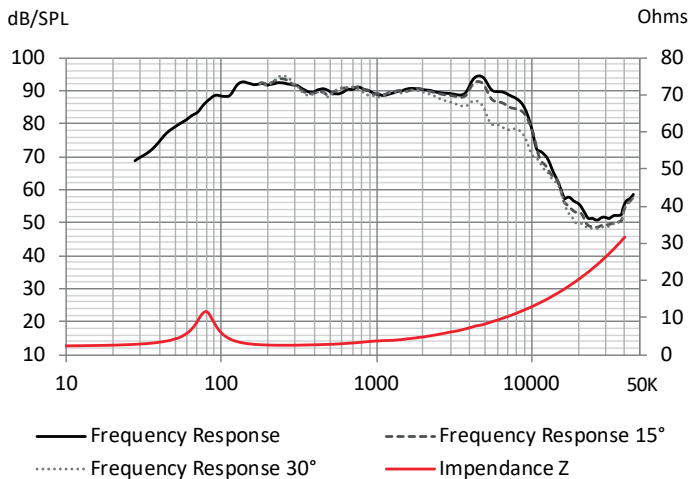
TECHNICAL SPECIFICATIONS

| | | |
|----------------------------------|----------------|----------------|
| Component | Woofer | |
| Max power | 120 W | |
| Nominal power | 60 W | |
| Impedance | 2 Ω | |
| Freq. Response | 74 Hz - 9 KHz | |
| Sensitivity (2,83V/1m) | 93.3 dB | |
| Magnet | Ferrite | |
| Magnet size Ø x h | 80 x 15 mm | 3.15" x 0.591" |
| Total driver displacement | 0.3 l | 0.011 cf |
| Weight of one component | 0.922 kg | 2.033 lb |
| Voice coil Ø | 28 mm | 1.102" |
| Voice coil height | 11 mm | 0.433" |
| Cone | Paper & Bamboo | |

Unit : mm



FREQUENCY RESPONSE / IMPEDANCE



THIELE-SMALL PARAMETERS

| | |
|-----------------------------|------------------------|
| effective Ø (d) | 130 mm |
| Sd | 132.73 cm ² |
| Xmax | 3 mm |
| Re | 2.3 Ω |
| Fs | 79.06 Hz |
| Le | 99.64 μH @ 1 kHz |
| Le | 233.56 μH @10 kHz |
| Vas | 7.37 L |
| Mms | 13.6 g |
| Cms | 0.000298 m/N |
| BL | 4.13 Tm |
| Qts | 0.73 |
| Qes | 0.91 |
| Qms | 3.71 |
| Sensitivity (dB/W/m) | 87.9 dB |

contact@blam-audio.fr
www.facebook.com/blamaudio

www.blam-audio.com

LIVE

LT 25

Tweeter



Driven by passion.

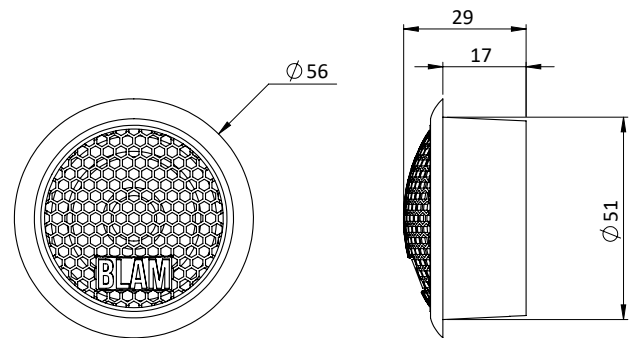
- 25 mm (1")
- High quality soft dome tweeter
- N38 neodymium motor



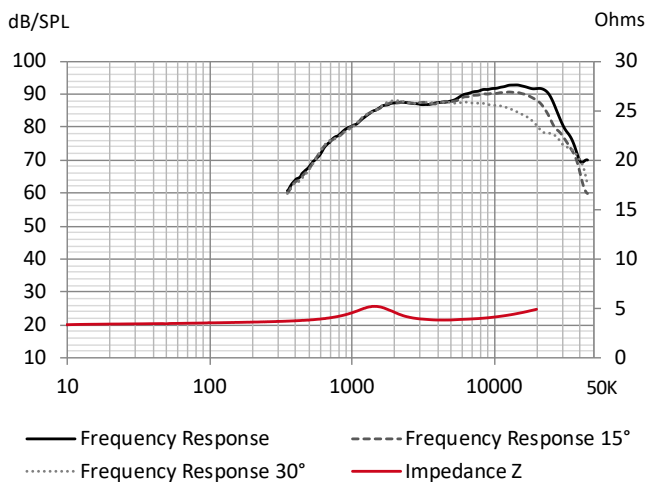
TECHNICAL SPECIFICATIONS

| Component | Tweeter | |
|---------------------------|------------------|------------------|
| Max power | 100 W | |
| Nominal power | 15 W | |
| Impedance | 3 Ω | |
| Freq. Response | 2.5 KHz - 25 KHz | |
| Sensitivity (2,83V/1m) | 91.6 dB | |
| Magnet | Neodymium | |
| Magnet size Ø x h | 18 x 3 mm | 0.709 "x 0.118 " |
| Total driver displacement | - | - |
| Weight of one component | 0.096 kg | 0.212 lb |
| Voice coil Ø | 25 mm | 0.984" |
| Voice coil height | 2 mm | 0.079" |
| Cone | Soft | |

Unit : mm



FREQUENCY RESPONSE / IMPEDANCE



THIELE-SMALL PARAMETERS

| | |
|----------------------|----------------------|
| effective Ø (d) | 26 mm |
| Sd | 5.31 cm ² |
| Xmax | - |
| Re | 3.18 Ω |
| Fs | 1501 Hz |
| Le | - |
| L2 | - |
| Vas | - |
| Mms | - |
| Cms | - |
| BL | - |
| Qts | - |
| Qes | - |
| Qms | - |
| Sensitivity (dB/W/m) | 87.6 dB |

contact@blam-audio.fr
www.facebook.com/blamaudio

www.blam-audio.com