

# RELAX

# BLAM

FRENCH SOUND

Driven by passion.

## 165 R2

### Woofers

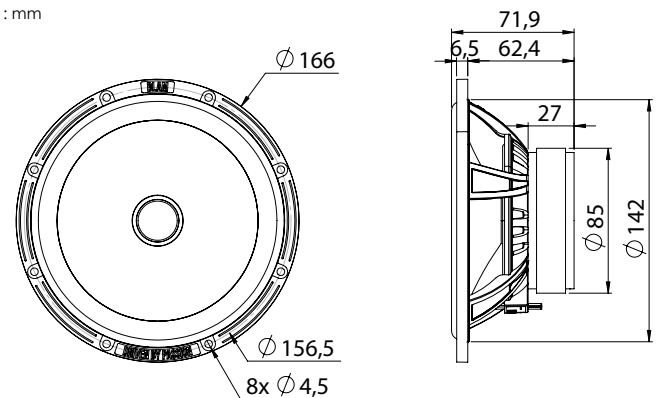
- Woofer 6-1/2" (165 mm)
- Max power 150 W / Nom. power 75 W
- Frequency response 60 Hz - 8 KHz
- Sensitivity 95 dB
- Impedance 2 Ohms

### TECHNICAL SPECIFICATIONS

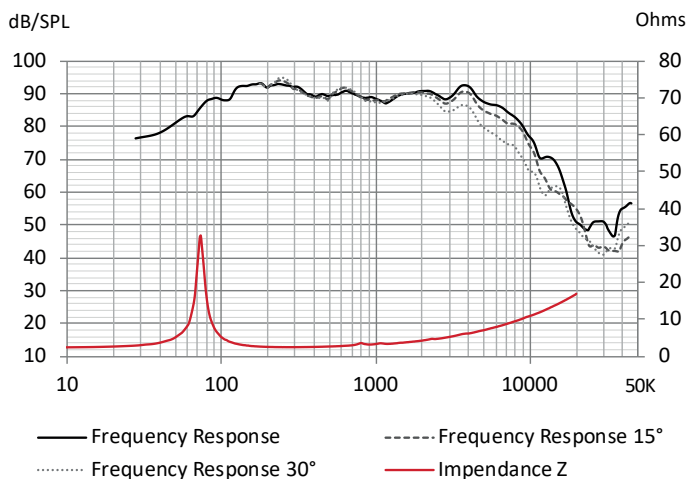
Component	Speakers	
Max power	150 W	
Nominal power	75 W	
Impedance	2 Ω	
Freq. Response	60 Hz - 8 KHz	
Sensitivity (2,83V/1m)	95.2 dB	
Magnet	Ferrite	
Magnet size Ø x h	85 x 17 mm	3.346" x 0.669"
Total driver displacement	0,3 l	0.011 cf
Weight of one component	0.92 kg	2.028 lb
Voice coil Ø	25 mm	0.984"
Voice coil height	12 mm	0.472"
Cone	Treated cellulose pulp	



Unit : mm



### FREQUENCY RESPONSE / IMPEDANCE



### THIELE-SMALL PARAMETERS

effective Ø (d)	130 mm
Sd	132.73 cm <sup>2</sup>
Xmax	4 mm
Re	2.18 Ω
Fs	68.97 Hz
Le	110.64 µH @ 1 kHz
L2	274.69 µH @10 kHz
Vas	11.28 L
Mms	11.68 g
Cms	0.000456 m/N
BL	4.15 Tm
Qts	0.60
Qes	0.64
Qms	10.39
Sensitivity (dB/W/m)	89.6 dB

contact@blam-audio.fr

www.facebook.com/blamaudio

www.blam-audio.com

## R80

### Mid-range

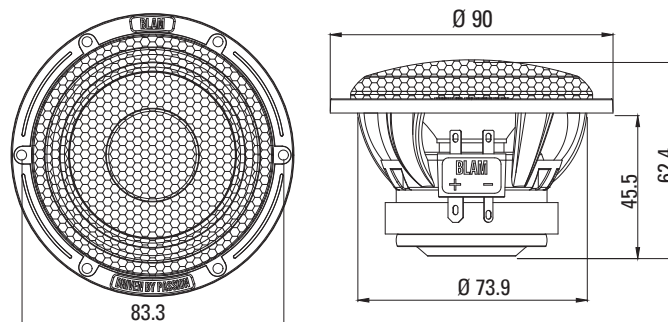
- 80 mm (3") mid-range
- Max. power 100 W / Nominal Power 50 W
- Frequency response 150 Hz - 23 kHz
- Impedance 3 Ω



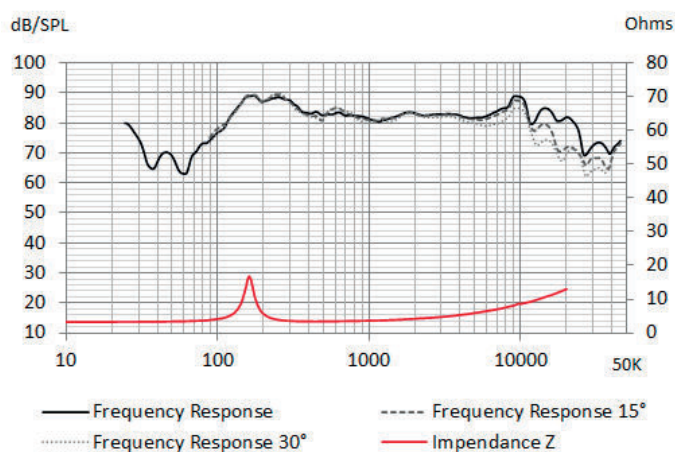
#### TECHNICAL SPECIFICATIONS

Component	Mid-range	
Max power	100 W	
Nominal power	50 W	
Impedance	3 Ω	
Freq. Response	150 Hz - 23 kHz	
Sensitivity (2,83V/1m)	86.5 dB	
Magnet	Ferrite	
Magnet size Ø x h	55 x 10 mm	2.165" x 0.394"
Total driver displacement	0.057 l	0.002 cf
Weight of one component	0.315 kg	0.694 lb
Voice coil Ø	20 mm	0.787"
Voice coil height	5.9 mm	0.232"
Cone	Cellulose pulp	

Unit : mm



#### FREQUENCY RESPONSE / IMPEDANCE



#### THIELE-SMALL PARAMETERS

effective Ø (d)	60 mm
Sd	55.42 cm <sup>2</sup>
Xmax	1 mm
Re	3.15 Ω
Fs	161.64 Hz
Le	74.71 μH @ 1 kHz
L2	109.43 μH @ 10 kHz
Vas	0.46 L
Mms	2.37 g
Cms	0.000408 m/N
BL	2.1 Tm
Qts	1.39
Qes	1.72
Qms	7.30

# RELAX

# R2T 20

## Tweeter

# BLAM

FRENCH SOUND

Driven by passion.

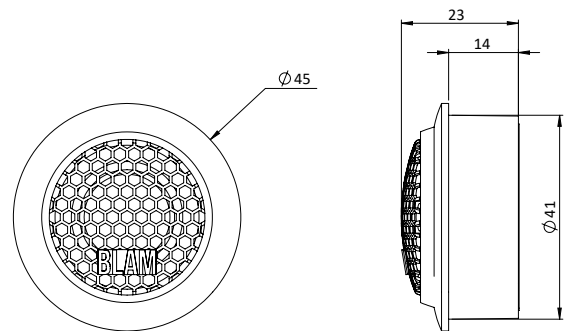
- High fidelity 20 mm soft dome tweeter
- High efficiency magnet (N38H neodymium)
- High quality special soft dome material
- Ferrofluid for high power handling

### TECHNICAL SPECIFICATIONS

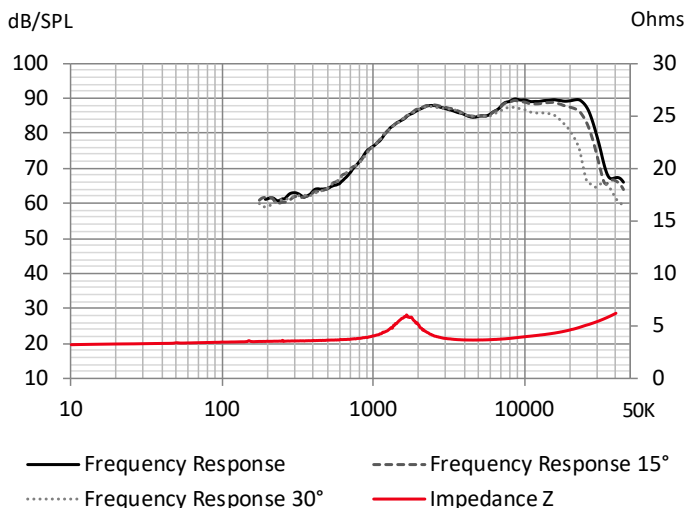
<b>Component</b>	Tweeter	
<b>Max power</b>	100 W	
<b>Nominal power</b>	10 W	
<b>Impedance</b>	3 $\Omega$	
<b>Freq. Response</b>	2.5 KHz - 25 KHz	
<b>Sensitivity (2,83V/1m)</b>	90 dB	
<b>Magnet</b>	Neodymium	
<b>Magnet size <math>\varnothing</math> x h</b>	19.5 x 3 mm	0.768" x 0.118"
<b>Total driver displacement</b>	-	-
<b>Weight of one component</b>	0.045 kg	0.099 lb
<b>Voice coil <math>\varnothing</math></b>	20 mm	0.803"
<b>Voice coil height</b>	1.3 mm	0.051"
<b>Dome</b>	Silk	



Unit : mm



### FREQUENCY RESPONSE / IMPEDANCE



### THIELE-SMALL PARAMETERS

<b>effective <math>\varnothing</math> (d)</b>	22 mm
<b>Sd</b>	3,80 cm <sup>2</sup>
<b>Xmax</b>	-
<b>Re</b>	3 $\Omega$
<b>Fs</b>	1651 Hz
<b>Le</b>	-
<b>L2</b>	-
<b>Vas</b>	-
<b>Mms</b>	-
<b>Cms</b>	-
<b>BL</b>	-
<b>Qts</b>	-
<b>Qes</b>	-
<b>Qms</b>	-
<b>Sensitivity (dB/W/m)</b>	85,7 dB

contact@blam-audio.fr  
www.facebook.com/blamaudio

www.blam-audio.com