

RELAX

690 RS

Woofer

- In-line 6 dB/oct high-pass cross-over ajustable tweeter level : 0 dB or -3 dB
- Frequency response 60 Hz - 20 kHz
- Power handling Max : 150W Nominal Power : 75W (RMS)
- Sensitivity 93 dB

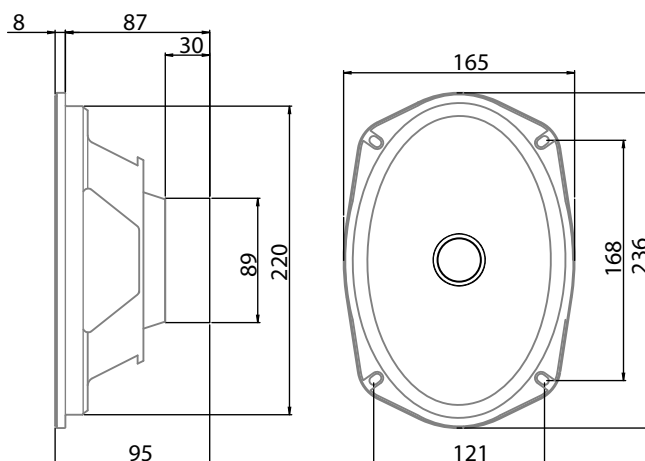
Guy Bonneville

BLAM
DRIVEN BY PASSION

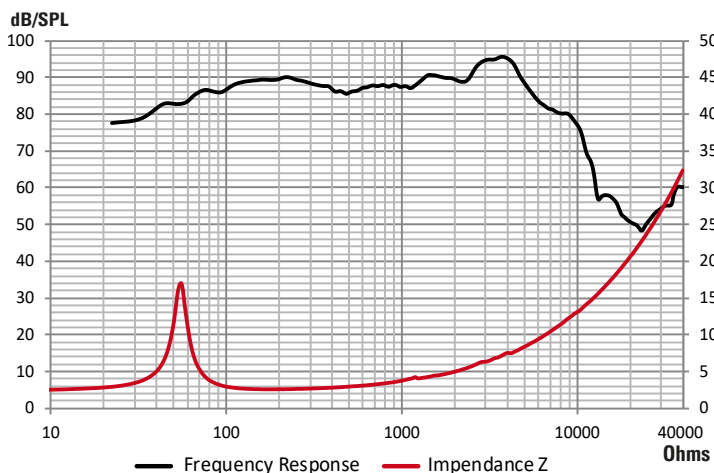


TECHNICAL SPECIFICATIONS

Component	Speakers	
Max power	150 W	
Nominal power	75 W	
Impedance	2 Ω	
Freq. Response	60 Hz - 20 KHz	
Sensitivity (2,83V/1m)	93 dB	
Magnet	Ferrite	
Magnet size Ø x h	85 x 17 mm	3,35" x 0,67"
Total driver displacement	0,3 l	0,011 cf
Weight of one component	1,05 kg	2,315 lb
Voice coil Ø	25 mm	0,984"
Voice coil height	11 mm	0,433"
Cone	Coated cellulose pulp	



FREQUENCY RESPONSE / IMPEDANCE



THIELE-SMALL PARAMETERS

effective Ø (d)	164,6 mm
Sd	212,79 cm ²
Xmax	3 mm
Re	2,4 Ω
Fs	54,10 Hz
Le	101,12 µH @ 1 kHz
Le	216,50 µH @10 kHz
Vas	26,45 L
Mms	20,81 g
Cms	0,000416 m/N
BL	4,23 Tm
Qts	0,82
Qes	0,95
Qms	6,12
Sensitivity (dB/W/m)	88,4 dB

contact@blam-audio.fr

www.facebook.com/blamaudio

www.blam-audio.fr

RELAX

Guy Bonneville

BLAM

DRIVEN BY PASSION

RT 20

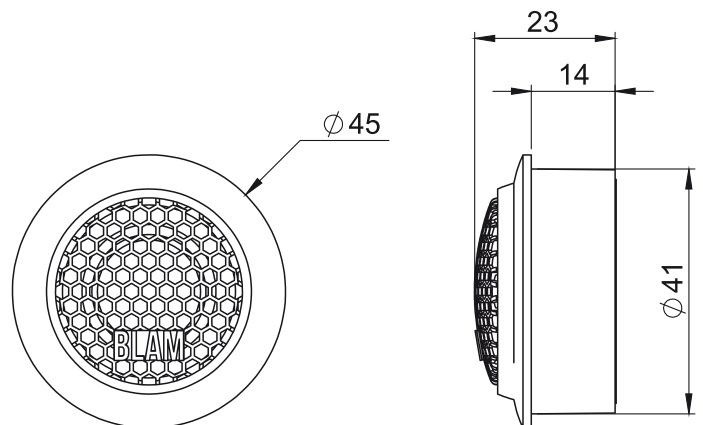
Tweeter

- Hi fidelity 20 mm soft dôme tweeter
- Hi efficiency magnet (N38H neodymium)
- Hi quality special soft dôme material
- Ferrofluid for hi power handling

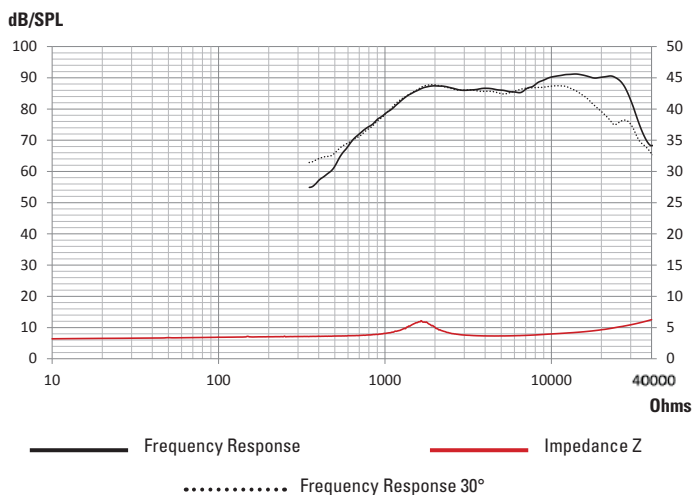


TECHNICAL SPECIFICATIONS

Component	Tweeter	
Max power	100 W	
Nominal power	10 W	
Impedance	3 Ω	
Freq. Response	2,5 KHz - 25 KHz	
Sensitivity (2,83V/1m)	90 dB	
Magnet	Neodymium	
Magnet size Ø x h	18 x 3 mm	0,709" x 0,118"
Total driver displacement	-	-
Weight of one component	0,045 kg	0,099 lb
Voice coil Ø	20 mm	0,787"
Voice coil height	2 mm	0,118"
Cone	Soft	



FREQUENCY RESPONSE / IMPEDANCE



THIELE-SMALL PARAMETERS

effective Ø (d)	22 mm
Sd	3,80 cm ²
Xmax	-
Re	3 Ω
Fs	1651 Hz
Le	-
L2	-
Vas	-
Mms	-
Cms	-
BL	-
Qts	-
Qes	-
Qms	-
Sensitivity (dB/W/m)	86,7 dB