

# Signature

Guy Bonneville

# BLAM

DRIVEN BY PASSION

## FRS 3N50+

### Extended frequency speaker

- Full-range driver 3" (80mm)
- Max. power: 100 W / Nom. power: 25 W
- Frequency response 200 Hz - 30 KHz
- Impedance 3 Ohms

Die cast aluminum Basket-Ultrarigid carbon fiber cone-IIR surround-Long life "conex" damper - 20mm Voice Coil, fiber glass former - Oversized neodymium ring Magnetic motor - Aluminum phase plug - Products matched to + -1 dB

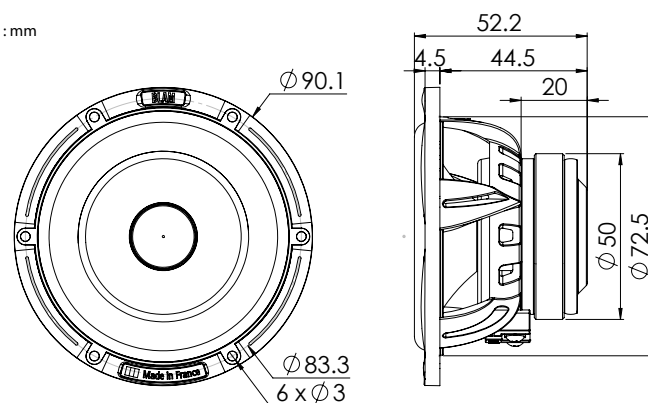
T-Yoke equipped with a faraday copper ring which limits the creation of Foucault currents

### TECHNICAL SPECIFICATIONS

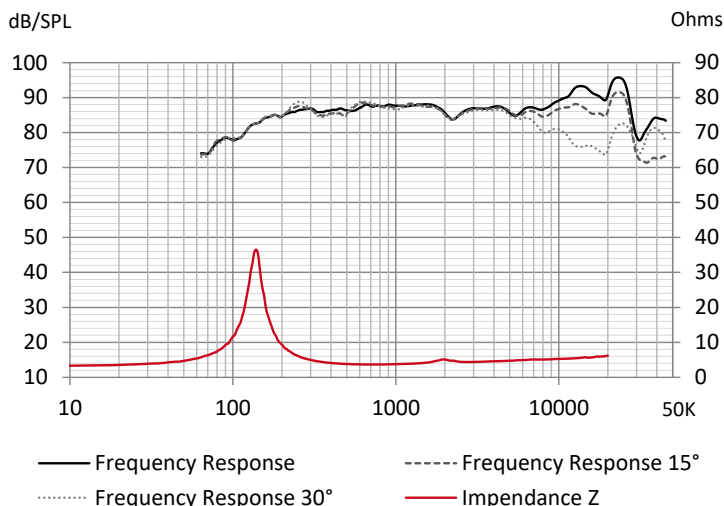
<b>Component</b>	Full-range	
<b>Max power</b>	100 W	
<b>Nominal power</b>	25 W	
<b>Impedance</b>	3 Ω	
<b>Freq. Response</b>	200 Hz - 30 KHz	
<b>Sensitivity (2,83V/1m)</b>	91.8 dB	
<b>Magnet</b>	Neodymium	
<b>Magnet size Ø x h</b>	50 x 9 mm	1.969" x 0.354 "
<b>Total driver displacement</b>	0.053 l	0.002 cf
<b>Weight of one component</b>	0.298 kg	0.657 lb
<b>Voice coil Ø</b>	20 mm	0.787"
<b>Voice coil height</b>	6 mm	0.236"
<b>Cone</b>	Carbon fiber	



Unit : mm



### FREQUENCY RESPONSE / IMPEDANCE



### THIELE-SMALL PARAMETERS

<b>effective Ø (d)</b>	61 mm
<b>Sd</b>	29,22 cm <sup>2</sup>
<b>Xmax</b>	1 mm
<b>Re</b>	3.3 Ω
<b>Fs</b>	137.62 Hz
<b>Le</b>	19.90 µH @1 kHz
<b>L2</b>	256.66 µH @10 kHz
<b>Vas</b>	0.82 L
<b>Mms</b>	1.96 g
<b>Cms</b>	0.000681 m/N
<b>BL</b>	3.32 Tm
<b>Qts</b>	0.47
<b>Qes</b>	0.52
<b>Qms</b>	5.04
<b>Sensitivity (dB/W/m)</b>	88.1 dB

contact@blam-audio.fr  
www.facebook.com/blamaudio  
www.blam-audio.com