

LIVE

BLAM

FRENCH SOUND

Driven by passion.

LW 165 A

Woofer

- Woofer 6-1/2" (165 mm)
- Max power 140 W / Nom. power 70 W
- Frequency response 55 Hz - 9 KHz
- Impedance 2 Ohms

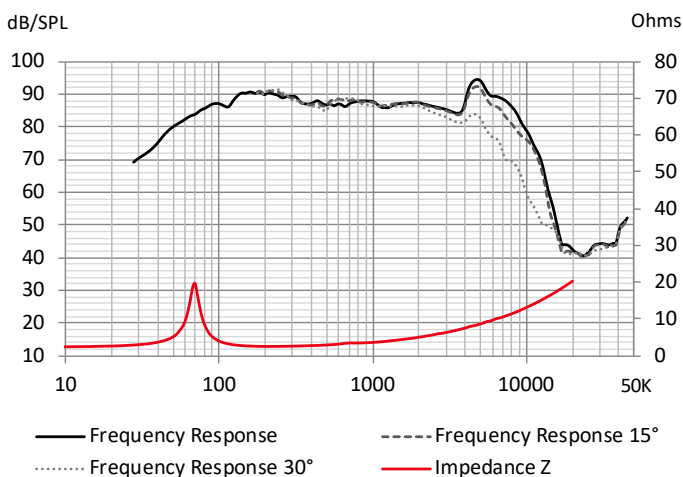
Machined cast aluminium basket - Epoxy resin and glass fiber cone - Butyl rubber surround - Long life "Conex" damper - 28 mm (1.1") voice coil with kapton former - 80 mm x 15 mm (3.1" x 0.6") motor assembly - Thick magnetic circuit (5 mm).



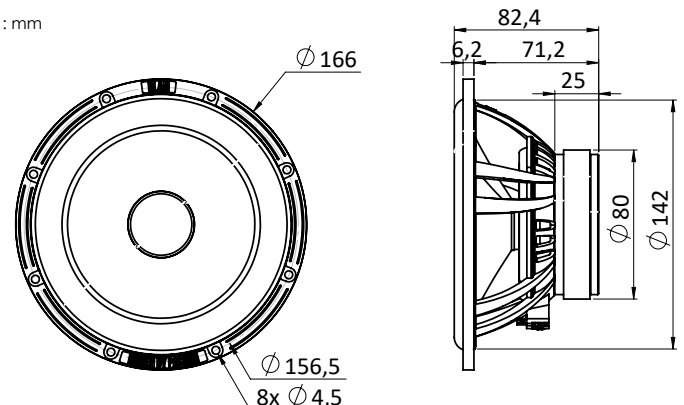
TECHNICAL SPECIFICATIONS

Component	Woofer	
Max power	140 W	
Nominal power	70 W	
Impedance	2 Ω	
Freq. Response	55 Hz - 9 KHz	
Sensitivity (2,83V/1m)	92.8 dB	
Magnet	Ferrite	
Magnet size Ø x h	80 x 15 mm	3.150" x 0.591"
Total driver displacement	0.3 l	0.011 cf
Weight of one component	0.9 kg	1.984 lb
Voice coil Ø	28 mm	1.102"
Voice coil height	11 mm	0.433"
Cone	Glass fiber	

FREQUENCY RESPONSE / IMPEDANCE



Unit : mm



THIELE-SMALL PARAMETERS

effective Ø (d)	130 mm
Sd	132.73 cm ²
Xmax	3 mm
Re	2.19 Ω
Fs	69.59 Hz
Le	199.35 µH @ 1 kHz
Le	234.13 µH @10 kHz
Vas	8.38 L
Mms	15.45 g
Cms	0.000338 m/N
BL	4.22 Tm
Qts	0.74
Qes	0.83
Qms	6.58
Sensitivity (dB/W/m)	87.2 dB

contact@blam-audio.fr
www.facebook.com/blamaudio
www.blam-audio.com

LIVE

LT 25

Tweeter



Driven by passion.

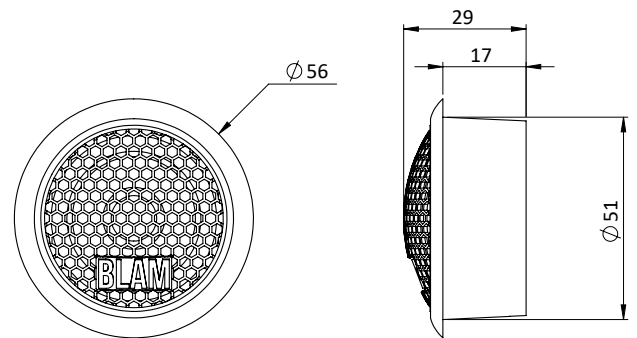
- 25 mm (1")
- High quality soft dome tweeter
- N38 neodymium motor



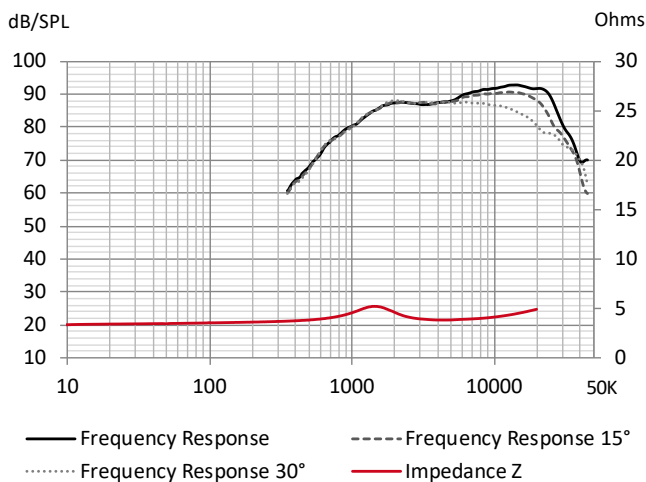
TECHNICAL SPECIFICATIONS

Component	Tweeter	
Max power	100 W	
Nominal power	15 W	
Impedance	3 Ω	
Freq. Response	2.5 KHz - 25 KHz	
Sensitivity (2,83V/1m)	91.6 dB	
Magnet	Neodymium	
Magnet size Ø x h	18 x 3 mm	0.709 "x 0.118 "
Total driver displacement	-	-
Weight of one component	0.096 kg	0.212 lb
Voice coil Ø	25 mm	0.984"
Voice coil height	2 mm	0.079"
Cone	Soft	

Unit : mm



FREQUENCY RESPONSE / IMPEDANCE



THIELE-SMALL PARAMETERS

effective Ø (d)	26 mm
Sd	5.31 cm ²
Xmax	-
Re	3.18 Ω
Fs	1501 Hz
Le	-
L2	-
Vas	-
Mms	-
Cms	-
BL	-
Qts	-
Qes	-
Qms	-
Sensitivity (dB/W/m)	87.6 dB

contact@blam-audio.fr
www.facebook.com/blamaudio

www.blam-audio.com