

RELAX

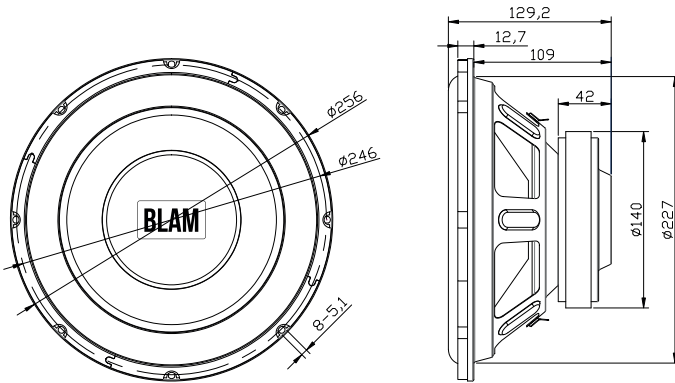


Driven by passion.

R10 DB

Subwoofer

- 250 mm (10") subwoofer
- Max. power 500 W / Nominal Power 250 W



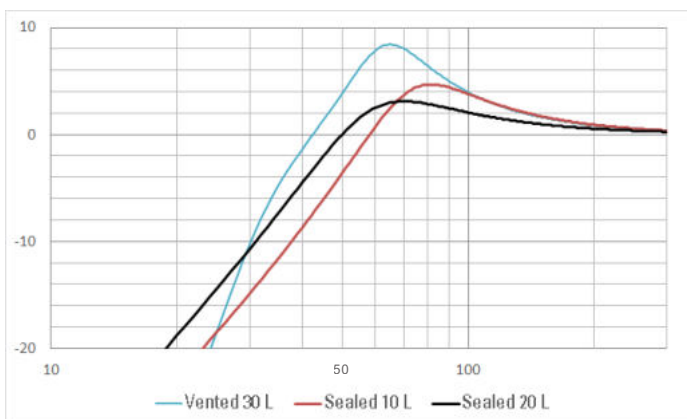
TECHNICAL SPECIFICATIONS

Component	Subwoofer	
Max power	500 W	
Nominal power	250 W	
Impedance	2 x 2 Ω	
Freq. Response	39 Hz - 500 Hz	
Sensitivity (2,83V/1m)	90.6 dB	
Magnet	Ferrite	
Magnet size \emptyset x h	140 x 20 mm	5.512" x 0.787"
Total driver displacement	1.1 l	0.039 cf
Weight of one component	3.13 kg	6.89 lb
Voice coil \emptyset	50 mm	1.968"
Voice coil height	21.8 mm	0.858"
Cone	Paper	

THIELE-SMALL PARAMETERS

effective \emptyset (d)	205 mm
Sd	330.06 cm ²
Xmax	13 mm
Re	1.56 Ω
Fs	39.28 Hz
Le	204.98 μ H @ 1 kHz
L2	500.55 μ H @ 10 kHz
Vas	24.18 L
Mms	103.9 g
Cms	0.000158 m/N
BL	6.29 Tm
Qts	0.89
Qes	1.01
Qms	7.41

FREQUENCY RESPONSE / IMPEDANCE



SEALED

Internal volume Vb	Qtc	F-3dB	Boost
10 L	1.643	50 Hz	4.7 dB at 76 Hz
20 L	1.321	42 Hz	3.1 dB at 66 Hz

VENTED

Internal volume Vb	Internal \emptyset port	Lenght port	F-3dB	Boost
30 L	10 cm	30 cm	39 Hz	8.5 dB at 63 Hz

contact@blam-audio.fr
www.facebook.com/blamaudio

www.blam-audio.com