

RELAX

BLAM

FRENCH SOUND

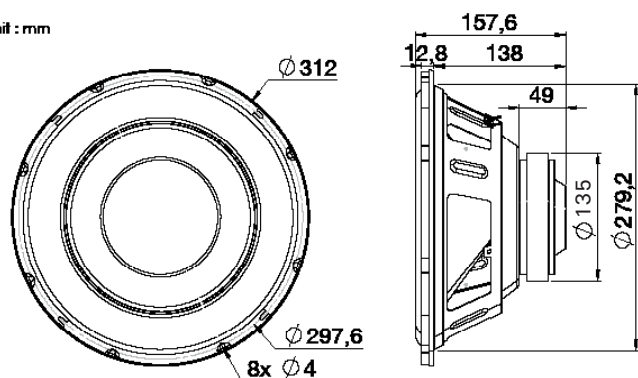
Driven by passion.

R12

subwoofer

- 300 mm (12") subwoofer
- Max. power 500 W / Nominal Power 250 W

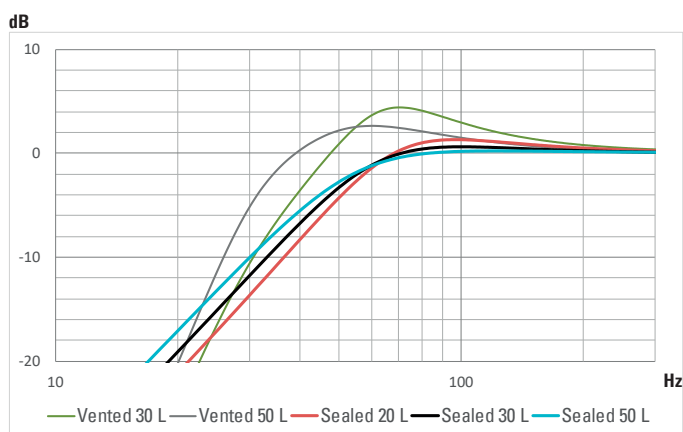
Unit : mm



TECHNICAL SPECIFICATIONS

Component	Subwoofer	
Max power	500 W	
Nominal power	250 W	
Impedance	2 Ω	
Freq. Response	30 Hz - 500 Hz	
Sensitivity (2,83V/1m)	94 dB	
Magnet	Ferrite	
Magnet size Ø x h	135 x 20 mm	5.315" x 0.787"
Total driver displacement	1.6 l	0.057 cf
Weight of one component	3.57 kg	7.871 lb
Voice coil Ø	50 mm	1.969"
Voice coil height	21 mm	0.827"
Cone	Reinforced cellulose fiber cone	

FREQUENCY RESPONSE / IMPEDANCE



THIELE-SMALL PARAMETERS

effective Ø (d)	240 mm	
Sd	452.39 cm ²	
Xmax	7 mm	
Re	2 Ω	
Fs	38.42 Hz	
Le	475.11 µH @ 1 kHz	
L2	1593.77 µH @10 kHz	
Vas	25.15 L	
Mms	196.10 g	
Cms	0.0875 m/N	
BL	12.4 Tm	
Qts	0.51	
Qes	0.55	
Qms	6.66	
Sensitivity (dB/W/m)	90.41 dB	

SEALED

Internal volume Vb	F-3 dB	Boost
20 L	55 Hz	0.3 dB at 125 hz
30 L	54 Hz	No boost
50 L	55 Hz	No boost

VENTED

Internal volume Vb	Internal ø port	Length port	F-3dB	Boost
30 L	10 cm	30 cm	40 Hz	4.0 dB at 60 Hz
50 L	10 cm	26 cm	31 Hz	1.6 dB at 46 Hz

contact@blam-audio.fr
www.facebook.com/blamaudio

www.blam-audio.com