

RELAX

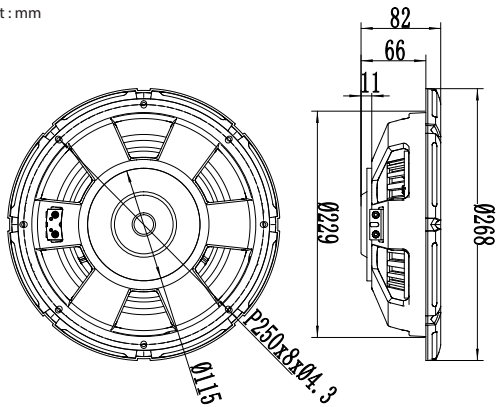


Driven by passion.

RS10.2 subwoofer

- 250 mm (10") extra-slim subwoofer
- Max. power 300 W / Nominal Power 150 W

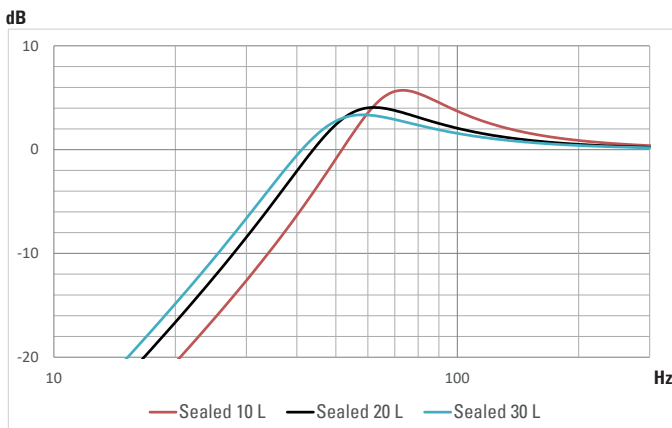
Unit : mm



TECHNICAL SPECIFICATIONS

Component	Subwoofer	
Max power	300 W	
Nominal power	150 W	
Impedance	2 Ω	
Freq. Response	35 Hz - 500 Hz	
Sensitivity (2,83V/1m)	87.7 dB	
Magnet	Ferrite	
Magnet size Ø x h	126 x 15 mm	4.961" x 0.591"
Total driver displacement	1 l	0.035 cf
Weight of one component	2.32 kg	5.115 lb
Voice coil Ø	50 mm	1969"
Voice coil height	16.5 mm	0.650"
Cone	Polypropylene	

SIMULATIONS



THIELE-SMALL PARAMETERS

effective Ø (d)	210 mm
Sd	346.36 cm ²
Xmax	6 mm
Re	2 Ω
Fs	37.93 Hz
Le	450.32 µH @ 1 kHz
L2	1077.89 µH @10 kHz
Vas	21.89 L
Mms	135.53 g
Cms	0.000129 m/N
BL	7.16 Tm
Qts	1.04
Qes	1.26
Qms	5.99
Sensitivity (dB/W/m)	81.7 dB

SEALED

Internal volume Vb	Qtc	F-3dB	Boost
10 L	1.859	46 Hz	5.7 dB at 71 Hz
20 L	1.507	38 Hz	4.1 dB at 60 Hz
30 L	1.369	36 Hz	3.4 dB at 56 Hz