

# RELAX

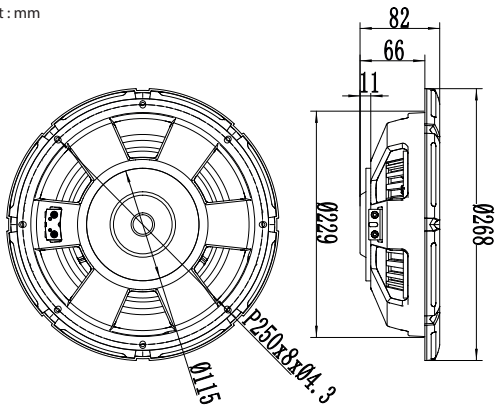


Driven by passion.

## RS10.4 subwoofer

- 250 mm (10") extra-slim subwoofer
- Max. power 300 W / Nominal Power 150 W

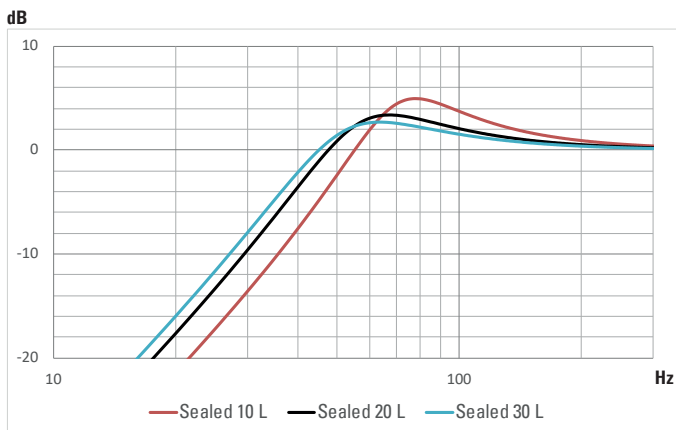
Unit : mm



### TECHNICAL SPECIFICATIONS

Component	Subwoofer	
Max power	300 W	
Nominal power	150 W	
Impedance	4 Ω	
Freq. Response	35 Hz - 500 Hz	
Sensitivity (2,83V/1m)	86.2 dB	
Magnet	Ferrite	
Magnet size Ø x h	126 x 15 mm	4.961" x 0.591"
Total driver displacement	1 l	0.035 cf
Weight of one component	2.32 kg	5.115 lb
Voice coil Ø	50 mm	1969"
Voice coil height	16.5 mm	0.650"
Cone	Polypropylene	

### SIMULATIONS



### THIELE-SMALL PARAMETERS

effective Ø (d)	210 mm
Sd	346.36 cm <sup>2</sup>
Xmax	6 mm
Re	3.6 Ω
Fs	40.29 Hz
Le	564.76 µH @ 1 kHz
L2	1359.20 µH @10 kHz
Vas	20.81 L
Mms	126.38 g
Cms	0.000123 m/N
BL	10.10 Tm
Qts	0.96
Qes	1.13
Qms	6.54
Sensitivity (dB/W/m)	82.7 dB

### SEALED

Internal volume Vb	Qtc	F-3dB	Boost
10 L	1.691	49 Hz	5.0 dB at 75 Hz
20 L	1.376	41 Hz	3.4 dB at 65 Hz
30 L	1.254	38 Hz	2.7 dB at 61 Hz