

RELAX

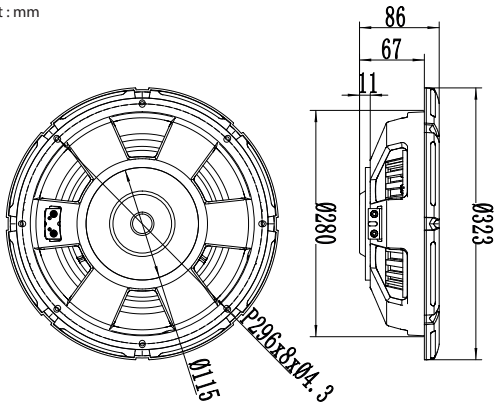


Driven by passion.

RS 12.4 subwoofer

- 300 mm (12") extra-slim subwoofer
- Max. power 400 W / Nominal Power 200 W

Unit : mm



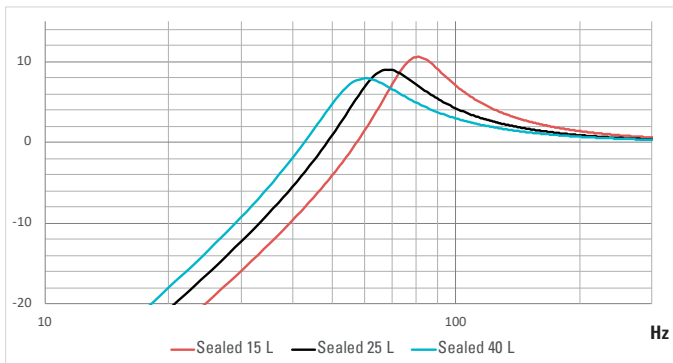
TECHNICAL SPECIFICATIONS

Component	Subwoofer	
Max power	400 W	
Nominal power	200 W	
Impedance	4 Ω	
Freq. Response	30 Hz - 500 Hz	
Sensitivity (2,83V/1m)	87.5 dB	
Magnet	Ferrite	
Magnet size Ø x h	126 x 15 mm	4.961" x 0.591"
Total driver displacement	1.1 l	0.039 cf
Weight of one component	2.52 kg	5.556 lb
Voice coil Ø	50 mm	1.969"
Voice coil height	16.5 mm	0.650"
Cone	Polypropylene	

THIELE-SMALL PARAMETERS

effective Ø (d)	264 mm
Sd	547.39 cm ²
Xmax	6 mm
Re	3.6 Ω
Fs	36.42 Hz
Le	578.25 µH @ 1 kHz
L2	1521.38 µH @10 kHz
Vas	50.07 L
Mms	160.48 g
Cms	0.000119 m/N
BL	9.42 Tm
Qts	1.19
Qes	1.49
Qms	5.88
Sensitivity (dB/W/m)	84 dB

dB



SEALED

Internal volume Vb	Qtc	F-3dB	Boost
15 L	2.476	50 Hz	8.1 dB at 77 Hz
25 L	2.060	42 Hz	6.5 dB at 65 Hz
40 L	1.784	37 Hz	5.4 dB at 57 Hz