

# Signature



Driven by passion.

## MS 4N24

### Extended frequency speaker

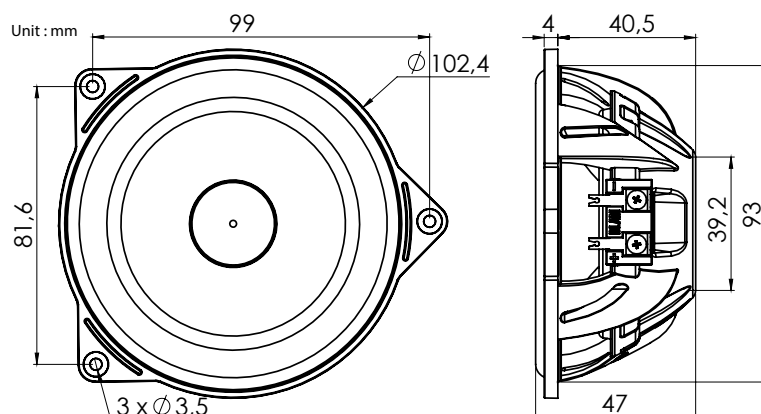
- Full-range driver 4" (100mm)
- Max. power: 120 W / Nom. power: 60 W
- Frequency response 95 Hz - 9 KHz
- Impedance 3 Ohms

Die cast aluminum Basket - Ultra rigid carbon fiber cone - IIR surround - Long life "conex" spider - 25 mm Voice Coil, fiber glass former - High grade neodymium magnet, precision machined pole piece and T yoke.

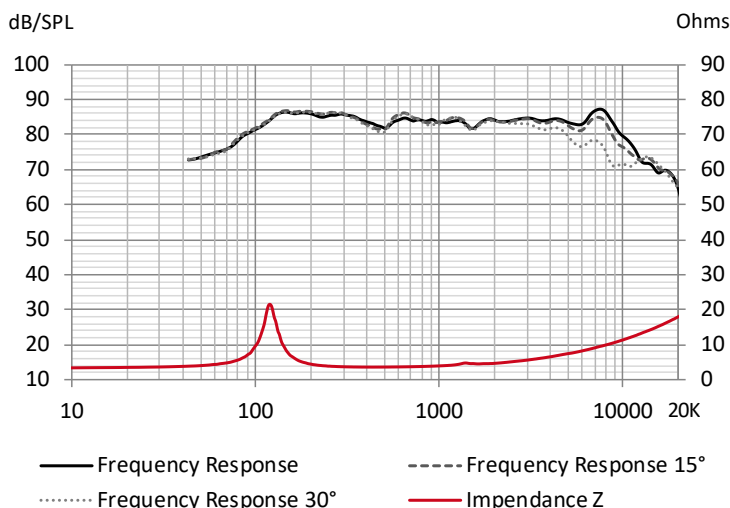


#### TECHNICAL SPECIFICATIONS

<b>Component</b>	Midrange	
<b>Max power</b>	120 W	
<b>Nominal power</b>	60 W	
<b>Impedance</b>	3 Ω	
<b>Freq. Response</b>	95 Hz - 9 KHz	
<b>Sensitivity (2,83V/1m)</b>	88 dB	
<b>Magnet</b>	Neodymium	
<b>Magnet size Ø x h</b>	24 x 11 mm	0,945" x 0,433 "
<b>Total driver displacement</b>	0,08 l	0,003 cf
<b>Weight of one component</b>	0,231 kg	0,509 lb
<b>Voice coil Ø</b>	25 mm	0,984"
<b>Voice coil height</b>	8,5 mm	0,335"
<b>Cone</b>	Carbon fiber	



#### FREQUENCY RESPONSE / IMPEDANCE



#### THIELE-SMALL PARAMETERS

<b>effective Ø (d)</b>	83 mm
<b>Sd</b>	54,11 cm <sup>2</sup>
<b>Xmax</b>	2,8 mm
<b>Re</b>	3,2 Ω
<b>Fs</b>	119,72 Hz
<b>Le</b>	91,62 µH @1 kHz
<b>L2</b>	158,85 µH @10 kHz
<b>Vas</b>	1,05 L
<b>Mms</b>	6,90 g
<b>Cms</b>	0,000256 m/N
<b>BL</b>	3,78 Tm
<b>Qts</b>	0,98
<b>Qes</b>	1,16
<b>Qms</b>	6,17
<b>Sensitivity (dB/W/m)</b>	83,5 dB

contact@blam-audio.fr  
www.facebook.com/blamaudio

www.blam-audio.com

# Signature

# BLAM

FRENCH SOUND

Driven by passion.

## TS 20HR

### High resolution tweeter

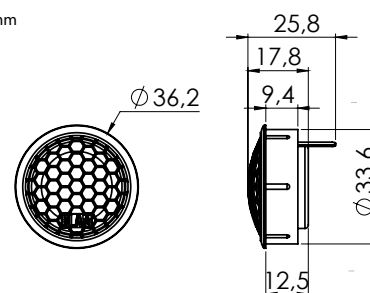
- 5 ohm, Neo magnet
- 20 mm (3/4") textile dome diaphragm
- Compact mounting dimensions
- High efficiency magnet (N38H neodymium)
- Ferrofluid for high power handling



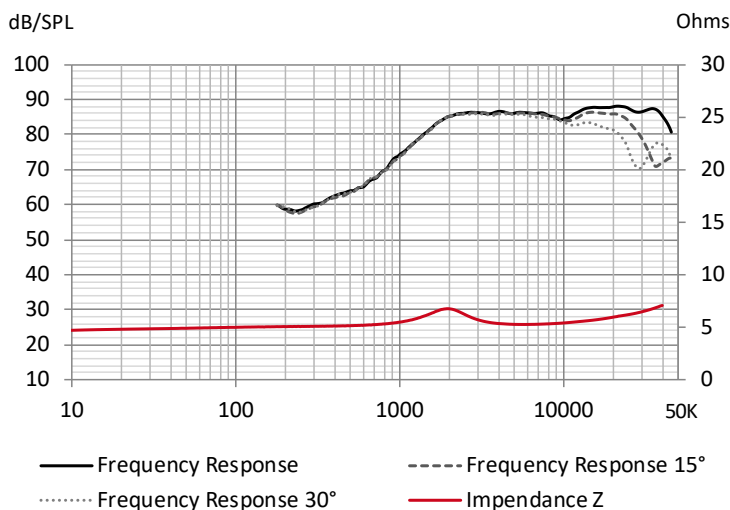
#### TECHNICAL SPECIFICATIONS

<b>Component</b>	Tweeter	
<b>Max power</b>	100 W	
<b>Nominal power</b>	10 W	
<b>Impedance</b>	5 $\Omega$	
<b>Freq. Response</b>	2,5 KHz - 40 KHz	
<b>Sensitivity (2,83V/1m)</b>	88,3 dB	
<b>Magnet</b>	Neodymium	
<b>Magnet size <math>\varnothing</math> x h</b>	18 x 4 mm	0,709" x 0,157"
<b>Total driver displacement</b>	-	
<b>Weight of one component</b>	0,03 kg	0,066 lb
<b>Voice coil <math>\varnothing</math></b>	20 mm	0,787"
<b>Voice coil height</b>	1,3 mm	0,051"
<b>Cone</b>	Soft	

Unit : mm



#### FREQUENCY RESPONSE / IMPEDANCE



#### THIELE-SMALL PARAMETERS

<b>effective <math>\varnothing</math> (d)</b>	32 mm
<b>Sd</b>	8,04 cm <sup>2</sup>
<b>Xmax</b>	-
<b>Re</b>	5 $\Omega$
<b>Fs</b>	1972,85Hz
<b>Le</b>	-
<b>L2</b>	-
<b>Vas</b>	-
<b>Mms</b>	-
<b>Cms</b>	-
<b>BL</b>	-
<b>Qts</b>	-
<b>Qes</b>	-
<b>Qms</b>	-
<b>Sensitivity (dB/W/m)</b>	86,3 dB

contact@blam-audio.fr  
www.facebook.com/blamaudio

www.blam-audio.com