

## WS 6.80 +

### High sensitivity speaker

- Woofer 6-1/2" (165 mm)
- Max power 120 W / Nom. power 60 W
- Frequency response 60 Hz - 7 KHz
- Impedance 2 Ohms

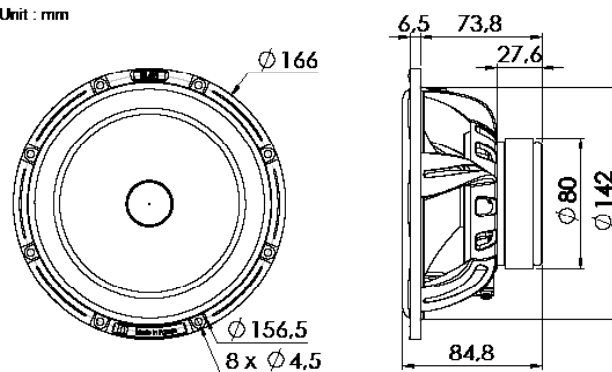
Die cast aluminum basket - Ultra rigid carbon fiber cone - IIR surround - Long life « conex » spider - 28 mm Voice Coil, fiber glass former - 80 mm x 17 mm Magnetic motor - Machined pole pieces - Gold-plated terminal.



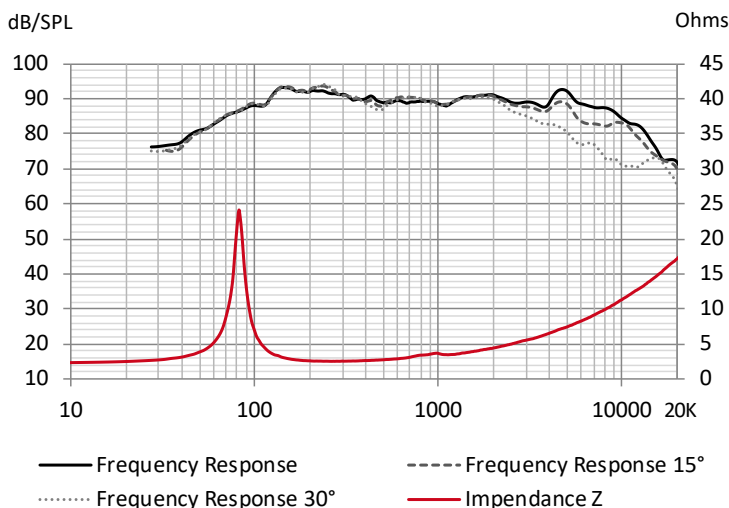
### TECHNICAL SPECIFICATIONS

Component	Speaker	
Max power	120 W	
Nominal power	60 W	
Impedance	2 Ω	
Freq. Response	60 Hz - 7 KHz	
Sensitivity (2,83V/1m)	94,3 dB	
Magnet	Ferrite	
Magnet size Ø x h	80 x 17 mm	3,150" x 0,669"
Total driver displacement	0,3 l	0,011 cf
Weight of one component	1 kg	2,205 lb
Voice coil Ø	28 mm	1,102"
Voice coil height	12 mm	0,472"
Cone	Carbon fiber	

Unit : mm



### FREQUENCY RESPONSE / IMPEDANCE



### THIELE-SMALL PARAMETERS

effective Ø (d)	128 mm
Sd	128,68 cm <sup>2</sup>
Xmax	4 mm
Re	2,1 Ω
Fs	80,41 Hz
Le	80,24 µH @ 1 kHz
L2	209,66 µH @10 kHz
Vas	8,84 L
Mms	10,31 g
Cms	0,000380 m/N
BL	3,69 Tm
Qts	0,81
Qes	0,90
Qms	7,45
Sensitivity (dB/W/m)	88,5 dB

# Signature

Guy Bonneville

# BLAM

DRIVEN BY PASSION

## TS 20HR

### High resolution tweeter

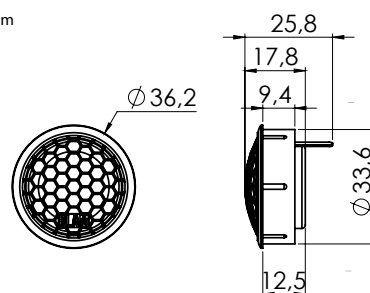
- 5 ohm, Neo magnet
- 20 mm (3/4") textile dome diaphragm
- Compact mounting dimensions
- High efficiency magnet (N38H neodymium)
- Ferrofluid for high power handling



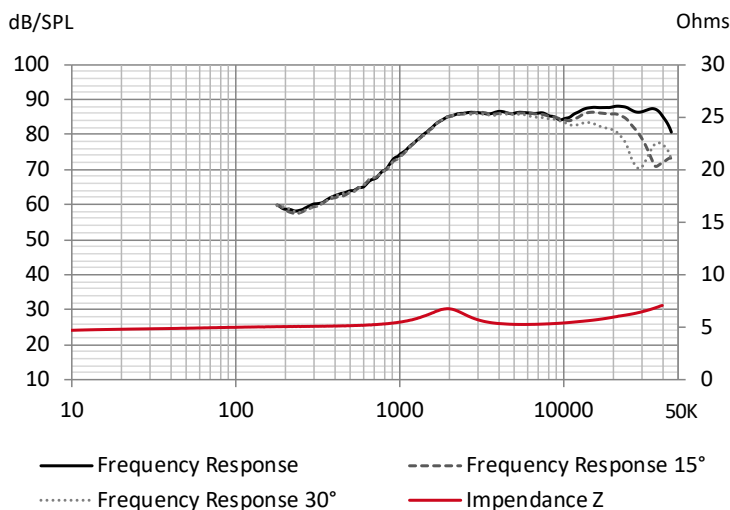
#### TECHNICAL SPECIFICATIONS

<b>Component</b>	Tweeter	
<b>Max power</b>	100 W	
<b>Nominal power</b>	10 W	
<b>Impedance</b>	5 $\Omega$	
<b>Freq. Response</b>	2,5 KHz - 40 KHz	
<b>Sensitivity (2,83V/1m)</b>	88,3 dB	
<b>Magnet</b>	Neodymium	
<b>Magnet size <math>\varnothing</math> x h</b>	18 x 4 mm	0,709" x 0,157"
<b>Total driver displacement</b>	-	
<b>Weight of one component</b>	0,03 kg	0,066 lb
<b>Voice coil <math>\varnothing</math></b>	20 mm	0,787"
<b>Voice coil height</b>	1,3 mm	0,051"
<b>Cone</b>	Soft	

Unit : mm



#### FREQUENCY RESPONSE / IMPEDANCE



#### THIELE-SMALL PARAMETERS

<b>effective <math>\varnothing</math> (d)</b>	32 mm
<b>Sd</b>	8,04 cm <sup>2</sup>
<b>Xmax</b>	-
<b>Re</b>	5 $\Omega$
<b>Fs</b>	1972,85Hz
<b>Le</b>	-
<b>L2</b>	-
<b>Vas</b>	-
<b>Mms</b>	-
<b>Cms</b>	-
<b>BL</b>	-
<b>Qts</b>	-
<b>Qes</b>	-
<b>Qms</b>	-
<b>Sensitivity (dB/W/m)</b>	86,3 dB