

Signature

BLAM

FRENCH SOUND

Driven by passion.

WS 8.100

High power mid woofer

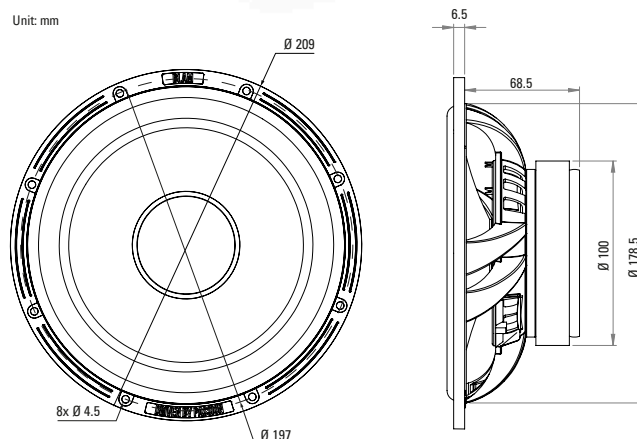
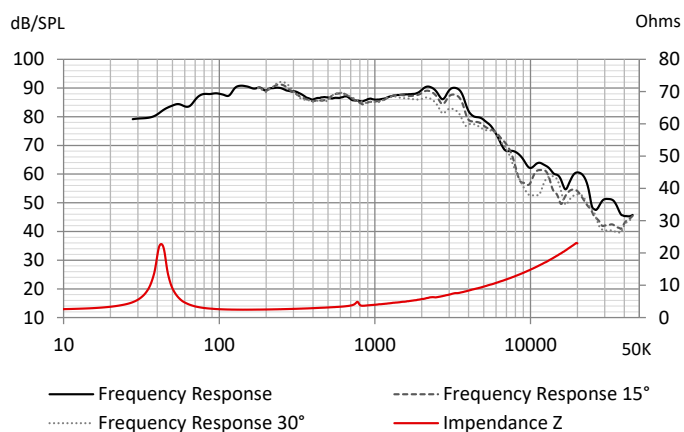
- Woofer 8 " (200 mm)
- Max power 300 W / Nom. power 150 W
- Frequency response 50 Hz - 3.8 KHz
- Sensitivity 93.4 dB
- Impedance 2 Ohms

Die cast aluminium basket - Ultra rigid carbon fiber cone - NBR surround - Long life « Conex » damper - 38 mm voice coil on fiber glass former - 100 mm x 20 mm oversized magnetic motor - Gold-plated terminal.

TECHNICAL SPECIFICATIONS

Component	Woofer	
Max power	300 W	
Nominal power	150 W	
Impedance	2 Ω	
Freq. Response	50 Hz - 3,8 KHz	
Sensitivity (2,83V/1m)	93,4 dB	
Magnet	Ferrite	
Magnet size Ø x h	100 x 20 mm	3,94" x 0,79"
Total driver displacement	0,3 l	0,011 cf
Weight of one component	1,76 kg	3,880 lb
Voice coil Ø	38 mm	1,496"
Voice coil height	15 mm	0,669"
Cone	Carbon fiber	

FREQUENCY RESPONSE / IMPEDANCE



THIELE-SMALL PARAMETERS

effective Ø (d)	165 mm
Sd	213,82 cm ²
Xmax	6 mm
Re	2,27 Ω
Fs	42,26 Hz
Le	149,49 μH @ 1 kHz
L2	366,81 μH @ 10 kHz
Vas	37,72 L
Mms	24,15 g
Cms	0,587338 m/N
BL	4,50 Tm
Qts	0,65
Qes	0,72
Qms	6,85
Sensitivity (dB/W/m)	87,9 dB

contact@blam-audio.fr

www.facebook.com/blamaudio

www.blam-audio.com

TSM 25 S 45

HIGH RESOLUTION TWEETER

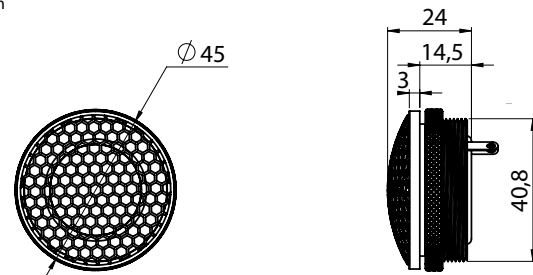
- 25mm (1") soft dome tweeter
- High efficiency neodymium magnet N38
- High precision Machined Aluminium front plate
- Sound transparent protective grill



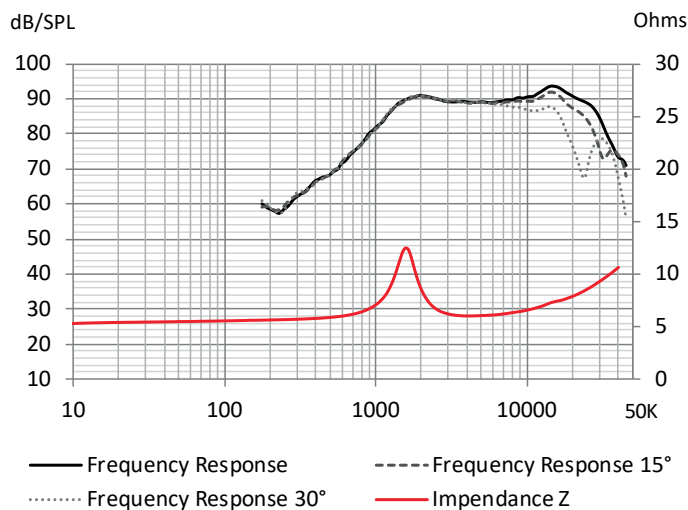
TECHNICAL SPECIFICATIONS

Component	Tweeter	
Max power	100 W	
Nominal power	15 W	
Impedance	5 Ω	
Freq. Response	1.59 KHz - 30 KHz	
Sensitivity (2,83V/1m)	90.7 dB	
Magnet	Neodymium	
Magnet size Ø x h	24.5 x 3.5 mm	0.965" x 0.138"
Total driver displacement	-	-
Weight of one component	0.068 kg	0,150 lb
Voice coil Ø	25 mm	0.984"
Voice coil height	1.7 mm	0.067"
Dome	Soft	

Unit : mm



FREQUENCY RESPONSE / IMPEDANCE



THIELE-SMALL PARAMETERS

Effective Ø (d)	32 mm
Sd	8.04 cm ²
Xmax	-
Re	5.1 Ω
Fs	1591 Hz
Le	-
L2	-
Vas	-
Mms	-
Cms	-
BL	-
Qts	-
Qes	-
Qms	-
Sensitivity (dB/W/m)	88.7 dB